

Micro Speaker

Model: OSR4020EA-5.8C2.0W8A



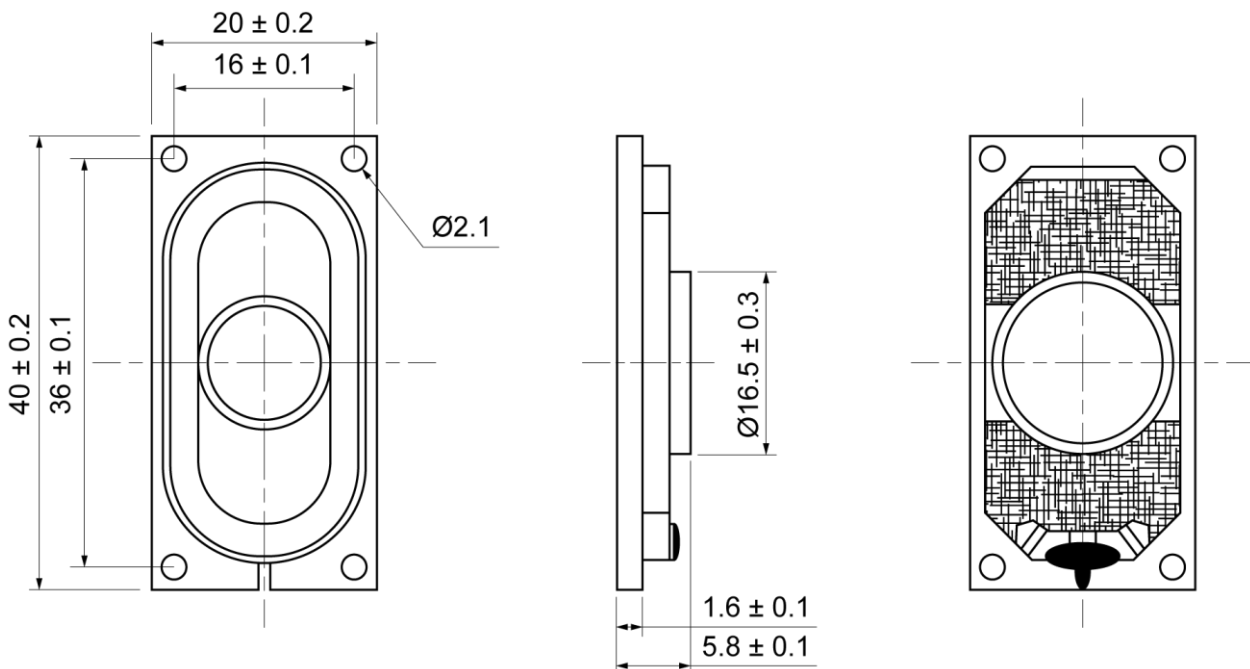
ELECTRICAL SPECIFICATIONS

	Condition	Parameter	Unit
Sound Pressure Level	at 0.1W, 10cm [at 0.8, 1.0, 1.2, 1.5KHz]	90 ± 3	dB
Impedance	at 1V, 1000Hz	8 ± 15%	Ω
Rated Input Power		2	W
Max Input Power		2.5	W
Resonant Frequency (Fo)	at 1V	650 ± 20%	Hz
Frequency Range		200 ~ 20000	Hz
Buzzer & Rattles	not be audible at sine wave between 200 ~ 20KHz	4	V
Operating Temperature		-20 ~ 60	°C
Magnet		Nd-Fe-B	
Frame Material		ABS	
Cone Material		Cloth	
Weight		5	g

MECHANICAL DRAWING

Dimensions in mm

Tolerance ±0.5mm Except Specified



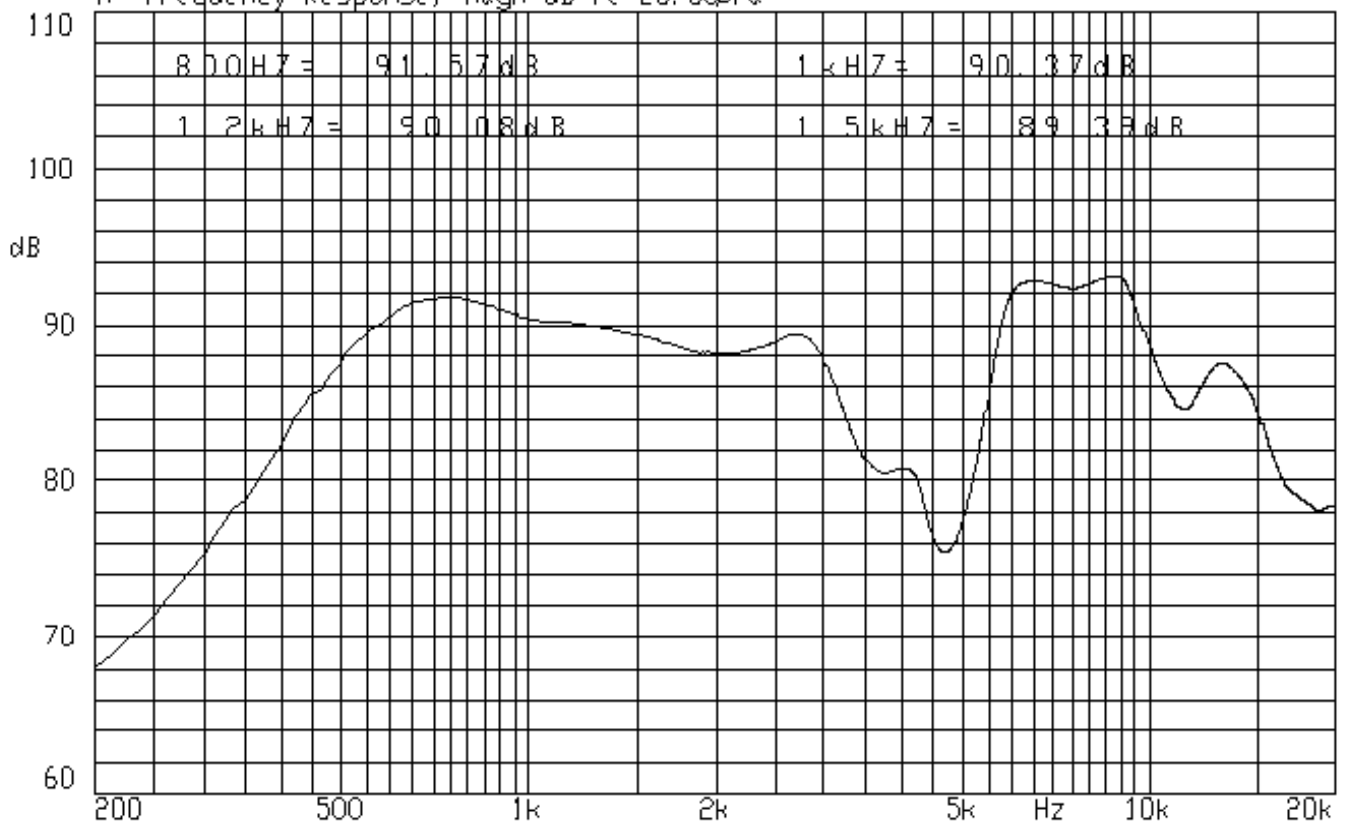
Micro Speaker

Model: OSR4020EA-5.8C2.0W8A

FREQUENCY RESPONSE CURVE

YGDA2040I-8 0.1m 0.1W 0.89V

A: Frequency Response, Magn dB re 20.00µPa



19-JUL-2007 16:50:40

Mode: TSR

